

Automatic Pool Covers, Inc

#4 Instructions

This box contains the following items:

ITEM #	DESCRIPTION	QTY.	RE-ORDER #
5	5/16"x1" Bolt	2	505
19	5/16" Washer	2	505
57	#4 A-Frame	2	531
65	4" Regular Hub	2	539
71	Small Handle	2	545
105	Plastic Bushing	2	555
107	Plastic Washer	2	555

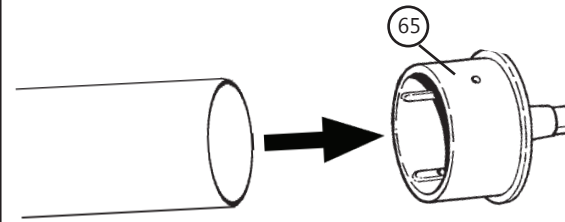
1

For use with 4" (outside diameter) aluminum tubing. (Not Supplied By Rocky's)

Insert one end of tubing into 4" hub (item # 65).

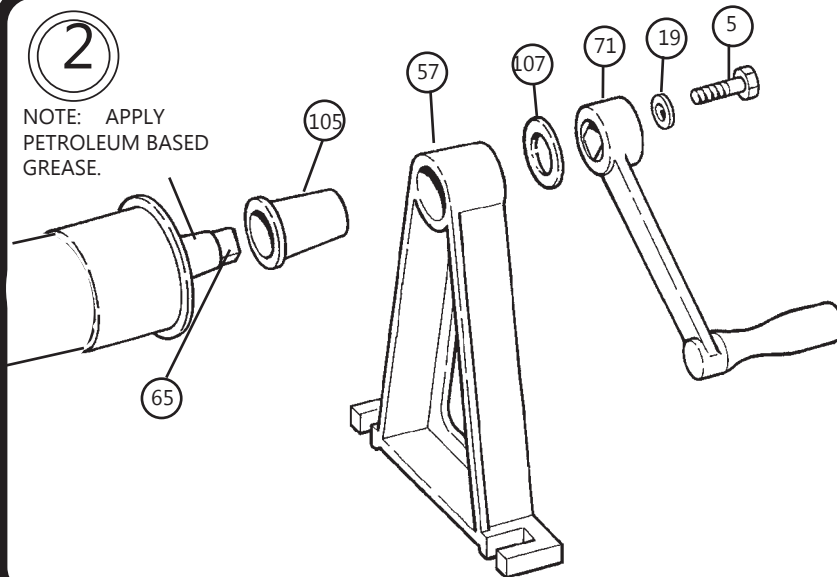
NOTE:

Tube length should be about 1' wider than pool.



2

NOTE: APPLY PETROLEUM BASED GREASE.



Assemble one end unit to the tube, using the small handle (item #71), as shown in the diagram. Repeat on the other end.

For smoother operation, apply petroleum based grease between the hub (item # 65) and the black plastic bushing (item #105). This should be done once a year.