

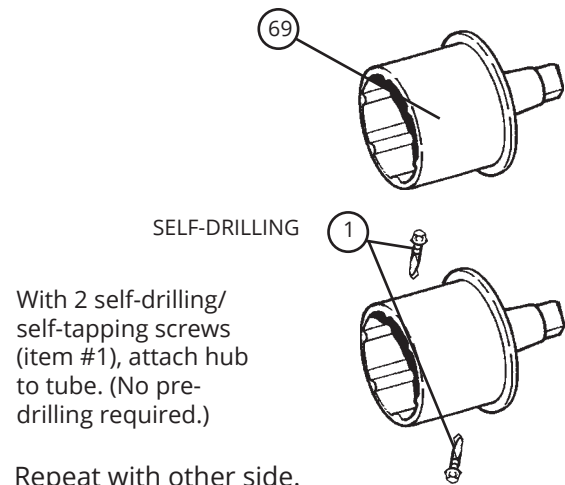
# ROCKY'S #4 ENDLESS POOLS

This box contains

ITEM #	QTY	DESCRIPTION	RE-ORDER #
1	8	Self-tapping Screw	501
5	2	5/16"x1" Bolt	505
7	4	3/8"x1" Bolt	507
15	4	Concrete Anchor	515
19	2	5/16" Washer	505
21	4	3/8" Washer	21
57	2	#4 A-Frame	531
61	1	White Knob	533
69	2	3" Hub	545
71	1	Small Handle	543
105	2	Plastic Bushing	555
107	2	Plastic Washer	555

**1**

NOTE:  
Tube length should be about 1' wider than pool.

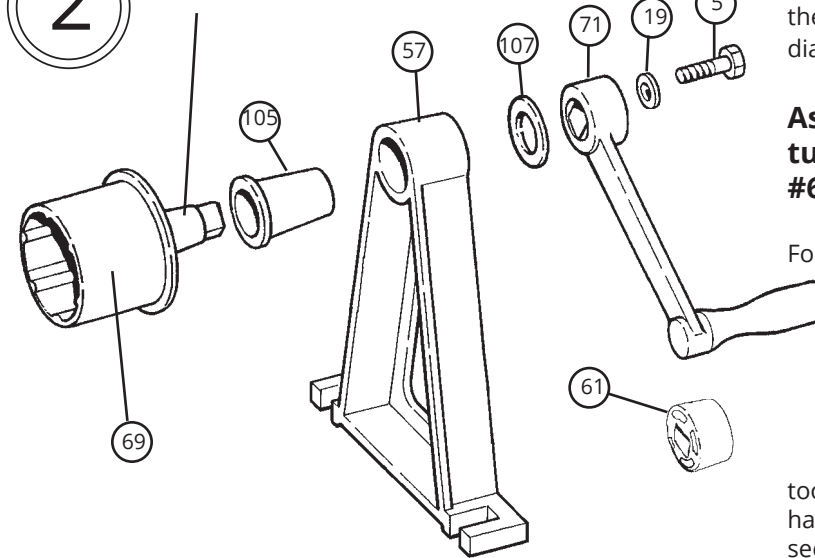


With 2 self-drilling/  
self-tapping screws  
(item #1), attach hub  
to tube. (No pre-  
drilling required.)

Repeat with other side.

**2**

NOTE: APPLY PETROLEUM  
BASED GREASE/ VASELINE.



Assemble one end unit to the tube, using the small handle (item #71), as shown in the diagram.

**Assemble the other end unit to the tube, using the white knob (item #61).**

For smoother operation, apply petroleum based grease between the hub (item #69) and the black bushing (item #105). This should be done once a year.

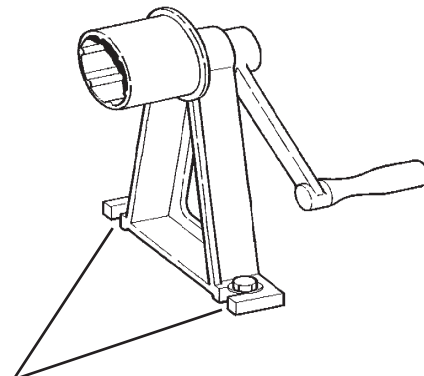
Note: Do not over tighten the bolt that secures the handle and the bolt that secures the knob. If you tighten them too much you will have a problem turning the handle. Note: Do not over tighten the bolt that secures the handle and the bolt that secures the knob. If you tighten them too much you will have a problem turning the handle.



Tools Required:

Reversible Drill
1/2" Concrete (masonry) Drill Bit
Hammer & Center Punch (large nail)
5/16" Hex Head Socket Bit
1/2" Wrench
9/16" Wrench

**3**

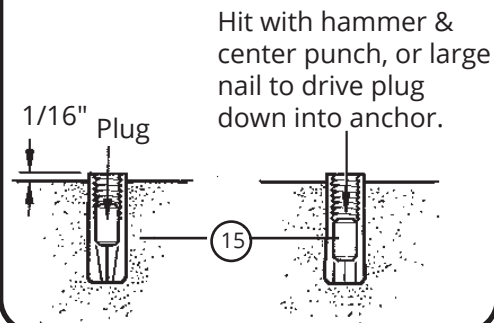


Using the two cut outs of the #4 A-frame (item #57) as guides, make two marks on deck for each #4 A-frame. With a 1/2" concrete drill bit, drill a 1 1/2" deep hole at each mark. Repeat for the other side of the unit.

**4**

Drive the concrete anchor into the hole with a hammer. Leave the anchor raised 1/16".

To set the concrete anchor, hit the plug with a hammer and center punch or large nail.



**5**

Insert the 3/8" bolts (item #7) through the 3/8" washers (item #21), through the #4 A-frames (item #57) and into the concrete anchors (item #15). Tighten the 3/8" bolts.

