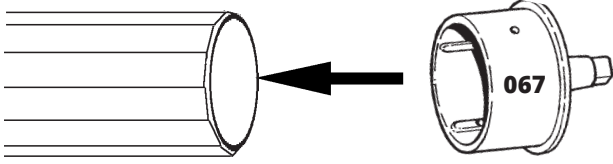


Junior Commercial Assembly Instructions



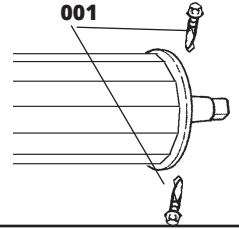
First construct the tubing as per the instructions included in the Tube box.



With two 7/8" TEK screws attach the Hub to the Tube using a drill. Apply pressure to ensure the screw cuts into the aluminum Tube and then cuts it's own thread.

(No pre-drilling required)

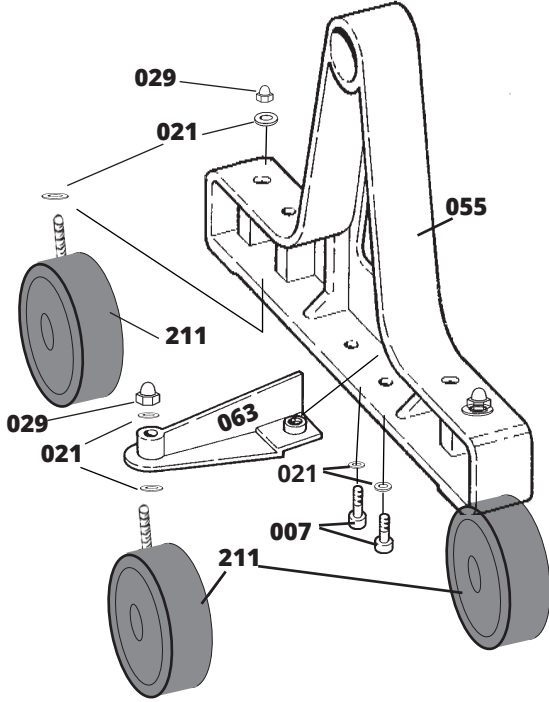
TEK Screws



Insert the 4" Hub into one end of Tube.

Repeat with other side.

1 Assemble The End Units



Bolt the Wheels to the Frames and to the 3rd Leg Frame, as shown in the diagram. Next, bolt the 3rd Leg Frames to the Frames.

Assemble one end unit to the Tube, using the Large Handle, as shown in the diagram.

Assemble the other end unit to the Tube, using the Knob.

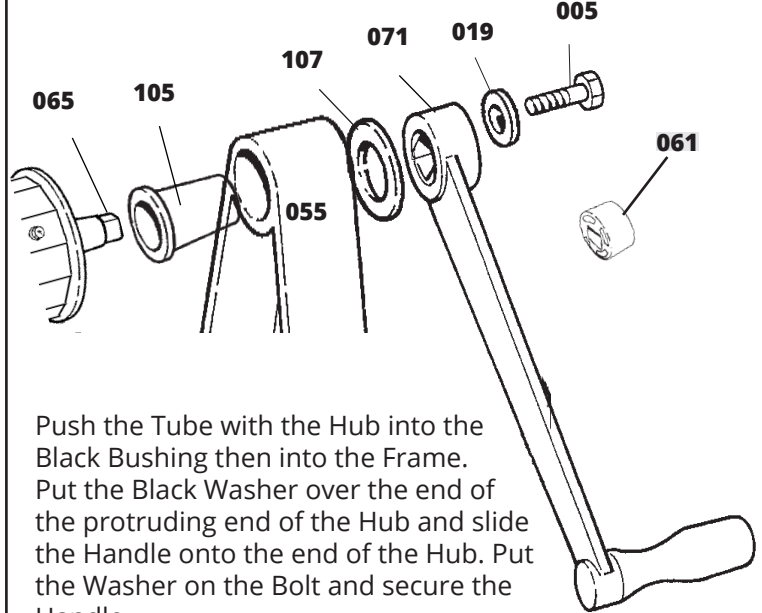
For smoother operation, apply waterproof grease between the Hub and the Black Bushing.

This should be done once a year.

Position the assembled roller unit at the widest end of the pool.

2 Assembling The System

Put the Black Bushing onto the end of the Hub remembering to put some waterproof grease inside the bushing. Grease once a year after that.



Push the Tube with the Hub into the Black Bushing then into the Frame. Put the Black Washer over the end of the protruding end of the Hub and slide the Handle onto the end of the Hub. Put the Washer on the Bolt and secure the Handle.

NOTE do not over tighten this Bolt as it will make it hard to rotate the Handle.

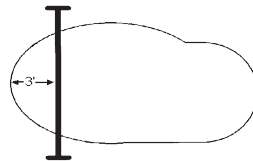
Repeat these steps on the other end of the unit and use the Knob in place of the Handle.

Your system is now complete.

3 Positioning Your Reel System

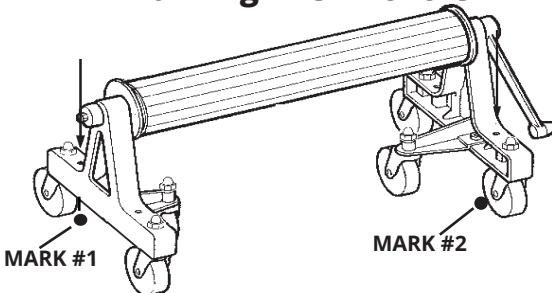


For **regular** shaped pools, align the outside edge of the Tube parallel with the end of the pool.



For **irregular** shaped pools, the outside edge of the Tube should be a minimum of 3' inside from the end of the pool. Place the reel at the widest point if possible for a better result.

4 Marking The Anchors

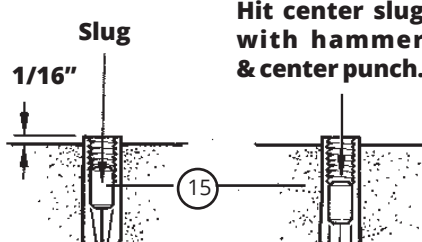


Using one of the two holes in the Frame as a guide, make mark #1 on deck. With a 1/2" concrete drill bit, drill a 1 1/2" deep hole at mark #1. Complete steps 5 and 6 before continuing with step 4. On the other side of the roller unit, make mark #2 by using one of the two holes in the A-frame as a guide. With a 1/2" concrete drill bit, drill a 1 1/2" deep hole at mark #2.

NOTE:
Set one Bolt at the front of the Frame at one end and one at the rear of the Frame at the other end.

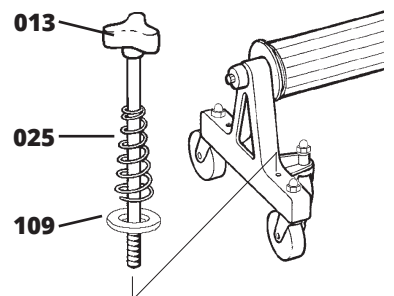
5 Setting The Anchors

Drive the Concrete Anchor into the hole with a hammer. Leave the Anchor raised 1/16". To set the Concrete Anchor, hit the slug with a hammer and center punch driving the slug down into the Anchor forcing the legs out into concrete.

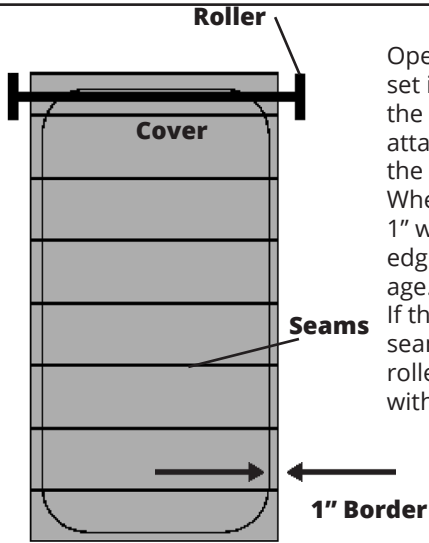


6 Bolting The System

Insert the Anchor Bolt through the Spring and then through the Spring Guard. Next put them through the hole in the Frame.

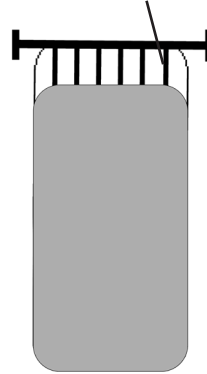


FOR REGULAR SHAPED INGROUND POOLS



Open the cover over the pool and set it into position. Ensure that the end of the cover (where it attaches to the roller) is square to the roller.
When cutting the cover, allow a 1" wide border around the pool edge to compensate for shrinkage.
If the cover has seams, then the seams should be parallel to the roller. (This may not be possible with some types of covers.)

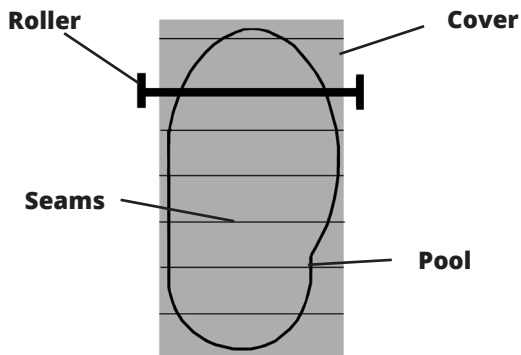
Straps every 3'



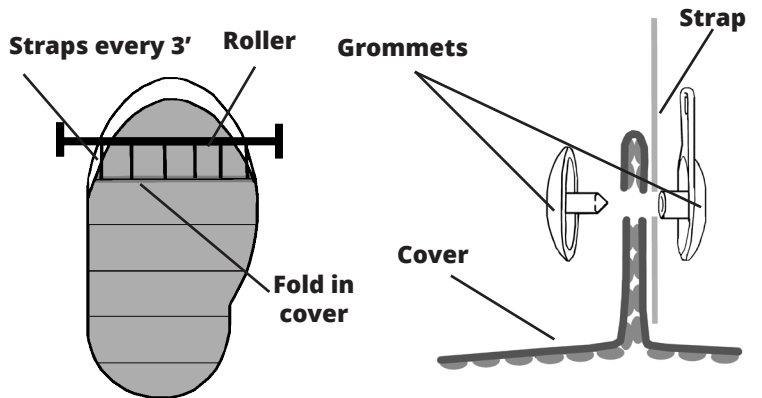
Attach the cut cover to the roller with the blue straps (See Grommet detail). Ensure the length of the strap allows the cover to lay flat on pool, to prevent wind from getting under the cover.
To measure your straps go from the top of the assembled reel system down to the water in your pool and then add two inches extra to compensate for evaporation.

FOR IRREGULAR, KIDNEY, OR ROUND SHAPED INGROUND POOLS

Open the cover over the pool and set it into position. Ensure that the seams on the cover are parallel to the roller. (This may not be possible with some types of covers).

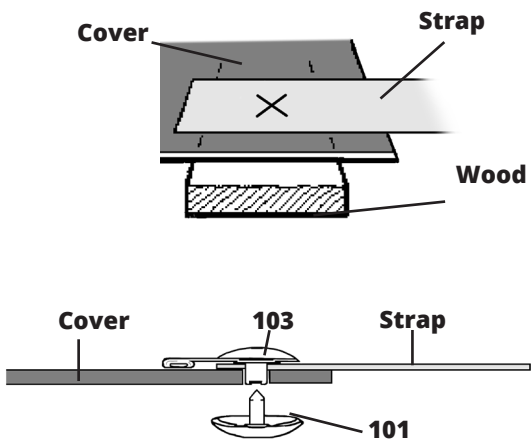


When cutting the cover, allow a 1" wide border around the pool edge to compensate for shrinkage.



For odd shaped pools, pinch the cover and attach the strap as shown. Attach the cut cover to the roller with the blue straps (see Grommet detail) by folding the cover in a straight line as shown in the diagrams. Ensure that the fold in the cover is straight.

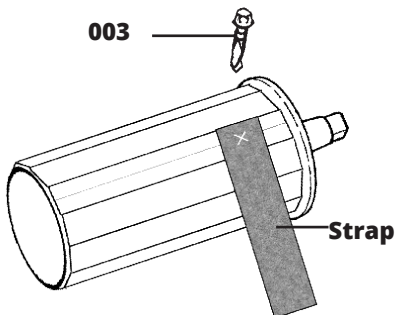
GROMMET DETAIL



Position the blue strap on the cover. Cross cut through the strapping and the cover. Ensure that the hole in the strapping is at least 1" from the end of the strap and that the hole in the cover is at least 2" from the end of the cover. If possible fold the edge of the cover over so that you put the Grommet through two layers of cover.
This will ensure that the Grommet fits securely onto both the cover and the strap, and will help to prevent tearing.

Insert the Female Grommet through your cut in the strapping and the cover. Ensure that the material is completely pushed down on the shaft. Insert the Male Grommet into Female Grommet. Once in place, hit with a hammer until secure. (**Caution - excessive force will break grommet.**)

003



Using Tek Screws, secure the strap to the tube. Make sure you put the screw about an inch into the strap to prevent tearing.

ITEM #	QTY.	DESCRIPTION	RE-ORDER #
001	4	7/8" TEK Screws	501
003	12	5/8" TEK Screws	501
005	2	5/16"x1" Bolt	505
011	2	3/8"x6" Anchor Bolt	511
015	2	Concrete Anchor	515
019	2	5/16" Washer	505
021	8	3/8" Washer	505
025	2	Spring	517
029	4	Acorn Nut	523
055	2	Frame	523
061	1	Knob	533
065	2	4" Hub	539
071	1	Small Handle	545
101	10	Male Grommet	549
103	10	Female Grommet	549
105	2	Plastic Bushing	555
107	2	Plastic Washer	555
109	2	Spring Guard	109
201	1	22' Strapping	587
209	4	2" Wheels	583

Tools Required:

Drill
1/2" Concrete (masonry) Drill Bit
Hammer & Center Punch
5/16" Hex Head Socket Bit
1/2" Wrench
5/8" Wrench

Rocky's Reel Systems Inc.

Tel: 1-800-663-8705 E-Mail: info@rockys.ca

For further instructions and how to videos visit www.rockys.ca