

# ROCKY'S AT-2 ADJUSTABLE TUBE INSTRUCTIONS



This package contains

ITEM	QTY	DESCRIPTION	Re-Order
37	8	Lock Nut (1/4")	521
27	8	1/4" X 3 3/4" Bolt	521
361	2	Small Diameter Tube	361
363	1	Large Diameter Tube	363

Tools Required
Drill
1/4" Drill Bit
Hammer
7/16" Wrench
Measuring Tape

NOTE: For further instructions visit [www.rockys.ca](http://www.rockys.ca) for current instructions and step by step instructional videos.

**IMPORTANT: YOU MUST BOLT THE TUBES TOGETHER AS PER INSTRUCTIONS, FAILURE TO DO SO MAY CAUSE SAGGING AND COMPROMISE THE INTEGRITY OF THE DESIGN.**

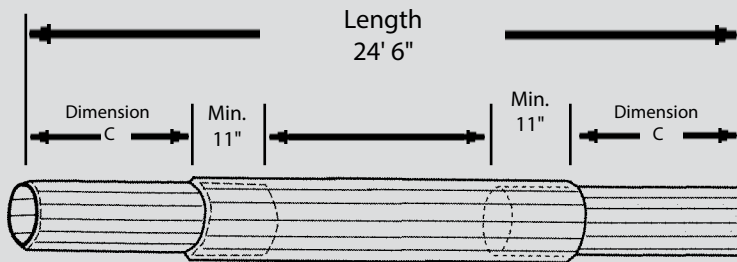
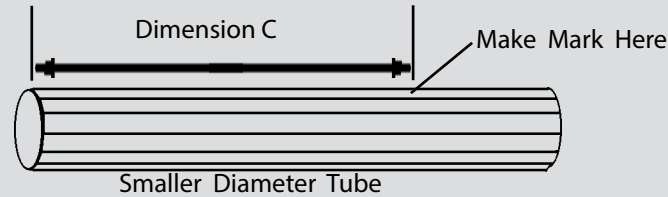
## ADJUSTABLE TUBE TABLE

Column A Pool Width (approx.)	Column B Total Tube Length (approx.)	Column C Dimension C (approx.)
16'10"	17'10"	53.4"
17'	18'	54.5"
17'6"	18'6"	57.5"
18'	19'	60.5"
18'6"	19'6"	63.5"
19'	20'	66.5"
19'6"	20'6"	69.5"
20'	21'	72.5"
20'6"	21'6"	75.5"
21'	22'	78.5"
21'6"	22'6"	81.5"
22'	23'	84.5"
22'6"	23'6"	87.5"
23'	24'	90.5"
23'6"	24'6"	93.5"
24'	25'	96.5"

# 2

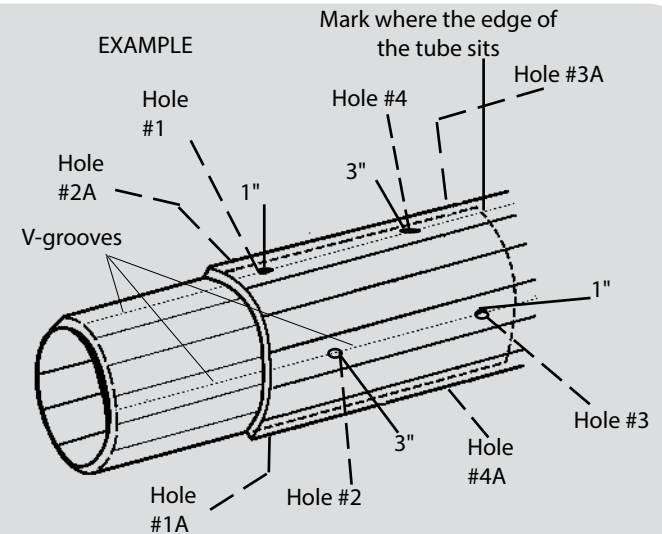
Note the 4 grooves running the length of each tube. They are designed to lessen drill bit movement while drilling. Rocky's recommends putting tape where the tubes overlap to prevent movement while drilling. The first bolt will go an inch from the edge of the wider tube. Mark Hole #1 and then rotate the tube 180 degrees and mark Hole #1A. Drill both holes and put a bolt through and put the lock nut on finger tight. Rotate the tube 90 degrees and measure 3 inches and mark Hole #2, rotate the tube 180 degrees and mark Hole #2A. Bolt #2 will run perpendicular to Bolt #1. Drill these holes and put the bolt through and secure with a lock nut. Next measure 107 inches and mark where the edge of the smaller tube is sitting in the wider tube. Now measure an inch back from where the edge of the inner tube sits and mark Hole #3. Rotate the tube 180 degrees and mark Hole #3A. This Bolt will run through the same direction as Bolt #2. Rotate the tube 90 degrees and measure 3 inches and mark Hole #4, rotate 180 degrees and mark Hole #4A. This bolt will go through the same direction as Bolt #1. Drill out both holes and put the bolt through, then put the lock nut on. Now you can tighten all four bolts. Do not use an impact driver, hand tighten only. If you overtighten the bolts the tube will bend causing the bolt to stick out and puncture your solar cover.

**1** For mounting on a pool deck, measure the width of your pool from one inside edge to the other inside edge. On the "ADJUSTABLE TUBE TABLE", locate your pool width in Column A. Note the corresponding value of Dimension C in Column C. Now, measure and mark Dimension C on both smaller diameter tubes as shown.



Insert smaller diameter tubes into the large diameter tube, up to the Dimension C mark, as shown. The total length of the tubes should be approximately equal to the corresponding value in Column B. See example on reverse.

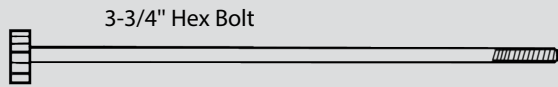
EXAMPLE



# ROCKY'S AT-2 ADJUSTABLE TUBE INSTRUCTIONS

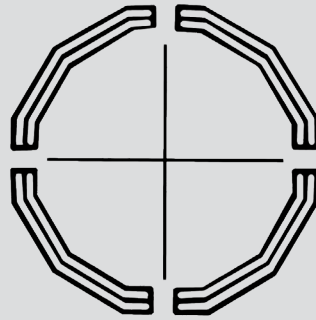


3



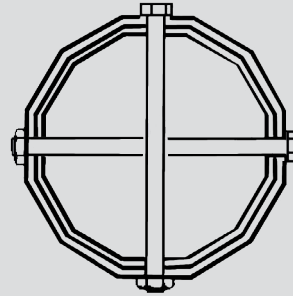
**VERY IMPORTANT:** You must use the supplied bolts to prevent sagging.

Drill four holes in the tubing as per the instructions on page one.

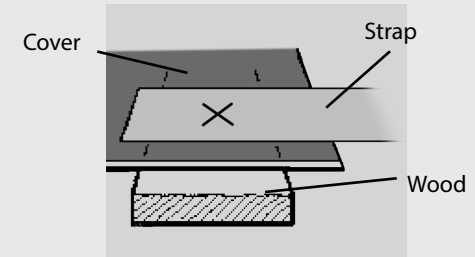


4

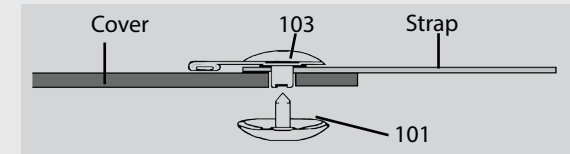
Insert the 3-3/4" Bolt through hole #1 and #2 as shown. Lightly tap the bolt into place with a hammer. Install the Lock Nut finger tight. Repeat these steps for the other two bolts on the same end for a total of four bolts. If the bolts appear to be too short you have tightened one side too much. Only tighten the bolts finger tight until all four bolts are in place. When all four bolts are in place, tighten the Lock Nuts with a wrench being careful not to overtighten and strip the threads. Repeat this procedure for the other end of the tube. There should be 8 bolts in all.  
NOTE: Use all 8 bolts as directed to ensure a stiffer tube. Failure to do so may cause excessive sagging.



## GROMMET DETAIL

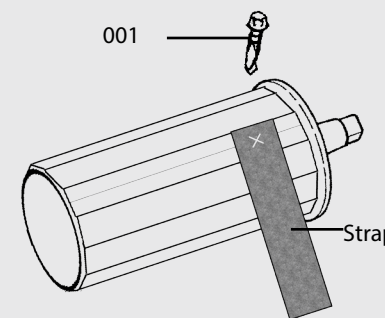
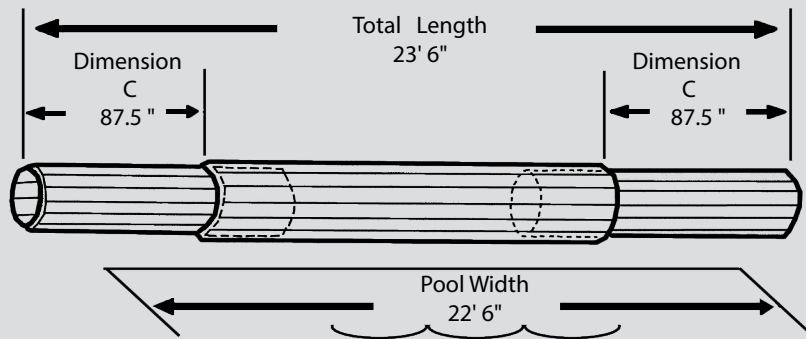


Position the blue strap on the cover. Cross cut through the strapping and the cover. Ensure that the hole in the strapping is at least 1" from the end of the strap and that the hole in the cover is at least 2" from the end of the cover. If possible fold the edge of the cover over so that you put the grommet through two layers of cover for extra reinforcement. This will ensure that the Grommet fits securely onto both the cover and the strap, and will help to prevent tearing.



Insert the Female Grommet through your cut in the strapping and the cover. Ensure that the material is completely pushed down on the shaft. Insert the Male Grommet into Female Grommet. Once in place, hit with a hammer until secure. (Caution - excessive force will break the grommets).

**EXAMPLE:** Pool width = 22'6"



Using Tek Screws, secure the strap to the tube. Make sure you put the screw about an inch into the strap to prevent tearing.