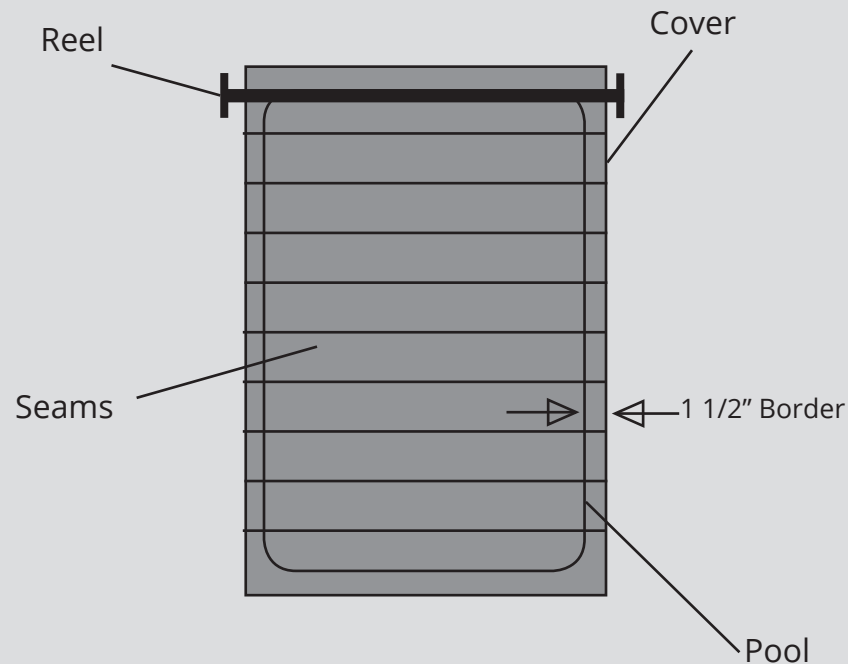


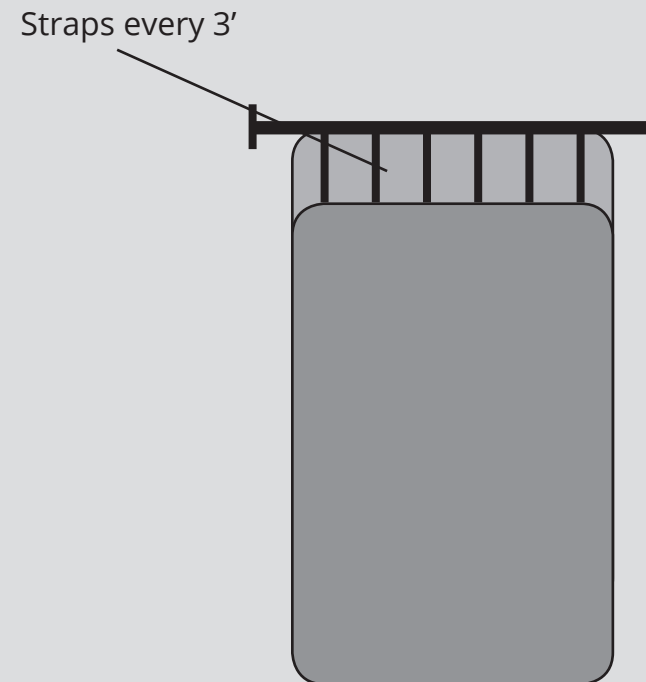
Regular Shaped Inground Pool Installation Instructions

Open cover over the pool and set into position. Ensure that the end of the cover (where it attaches to the roller) is square to the roller. If the cover has seams, then the seams should be parallel to the roller. (This may not be possible with some types of covers.)



When cutting the cover, allow a 1 1/2" wide border around the pool edge to compensate for shrinkage.

Attach the cut cover to the roller with the blue straps (See grommet detail). Ensure length of strap allows cover to lay flat on pool, to prevent wind from getting under cover.



Rocky's Reel Systems Inc.

Tel: 1-800-663-8705 E-Mail: info@rockys.ca

For instructional videos and visit: www.rockys.ca

