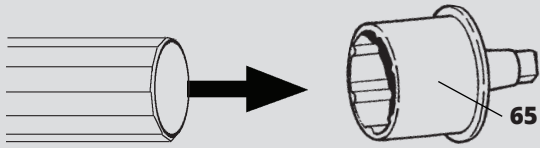


1 Assembling The Tubes

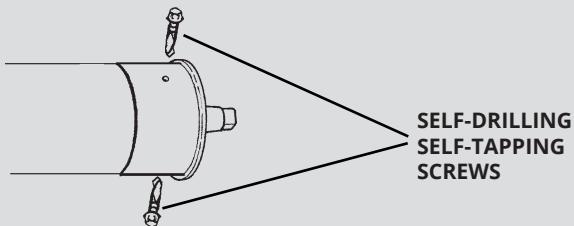
Rocky's #5 Portable System is for use with Rocky's 4" tubing.

Insert the Hub into the 4" Tubing.

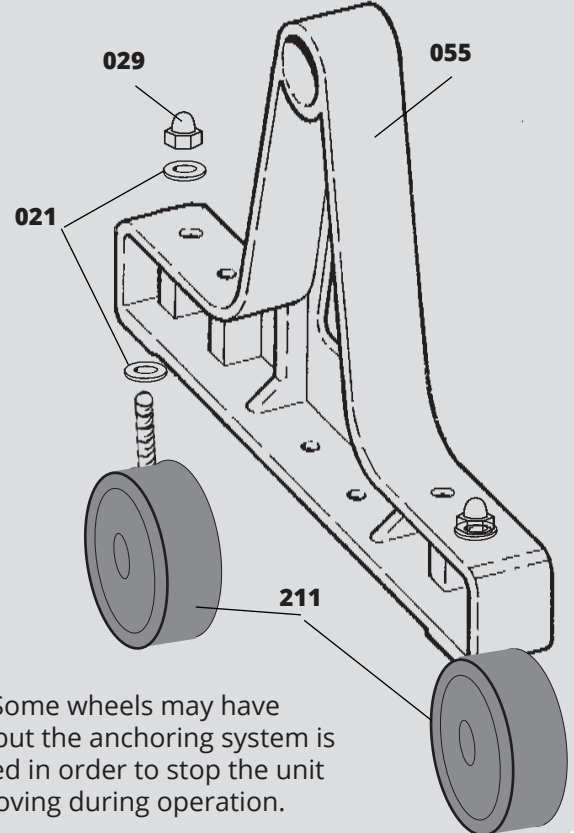


Using Two Self-Drilling Self-Tapping screws attach the 4" Hubs to the tubes.

NOTE: No pre-drilling required.



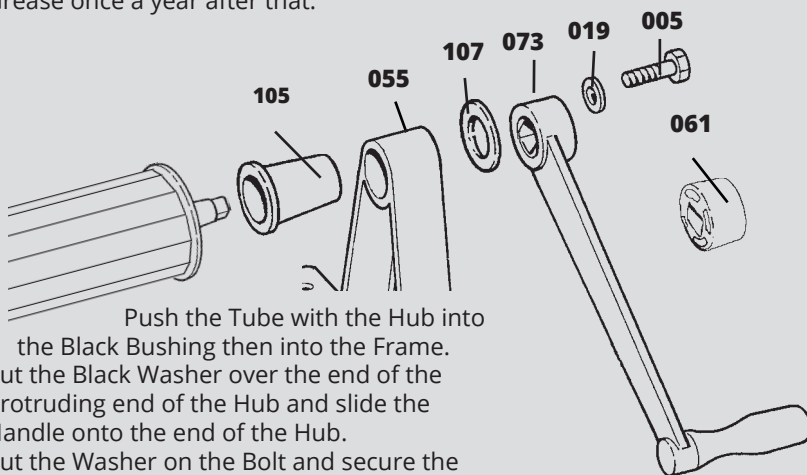
2 Assemble The End Units



NOTE: Some wheels may have brakes but the anchoring system is preferred in order to stop the unit from moving during operation.

3 Assembling The System

Put the Black Bushing onto the end of the Hub remembering to put some waterproof grease inside the Bushing. Grease once a year after that.

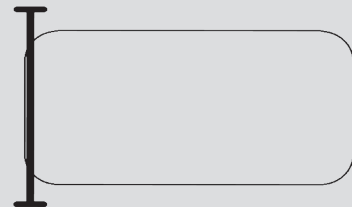


Push the Tube with the Hub into the Black Bushing then into the Frame. Put the Black Washer over the end of the protruding end of the Hub and slide the Handle onto the end of the Hub. Put the Washer on the Bolt and secure the Handle.

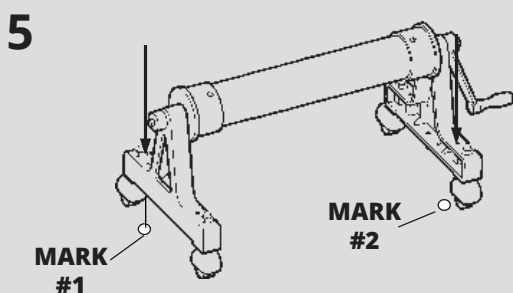
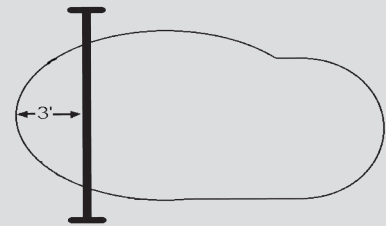
NOTE do not overtighten this bolt as it will make it hard to rotate the Handle. Repeat this on the other end of the unit and use the Knob in place of the Handle. Your System is now complete.

4 Positioning your Reel System

For **regular** shaped pools, align the outside edge of the Tube parallel with the end of the pool.



For **irregular** shaped pools, the outside edge of the Tube should be a **minimum** of 3' inside from the end of the pool. Place the reel at the widest point for a better result



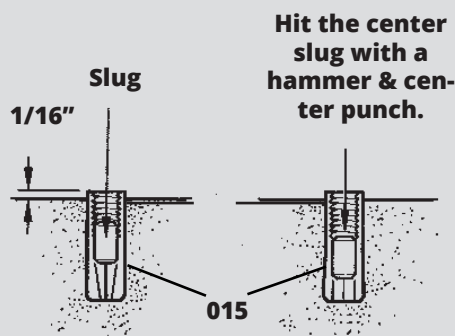
Using one of the two holes in the Frame as a guide, make mark #1 on deck. With a 1/2" concrete drill bit, drill a 1 1/2" deep hole at mark #1. Complete steps 6 and 7 before continuing to the other side of the unit.

On the other side of the unit, make mark #2 by using one of the two holes in the Frame as a guide. With a 1/2" concrete drill bit, drill a 1 1/2" deep hole at mark #2.

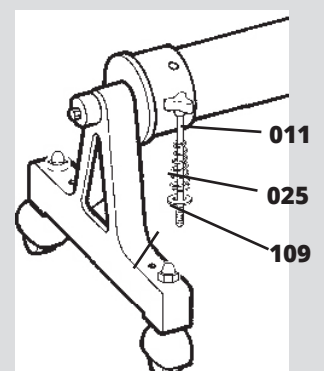
NOTE: Set one bolt at the front of the Frame on one end and one at the rear of the Frame on the other end.

6 Drive the Concrete Anchor into the hole with a hammer. Leave the Anchor raised 1/16" above deck.

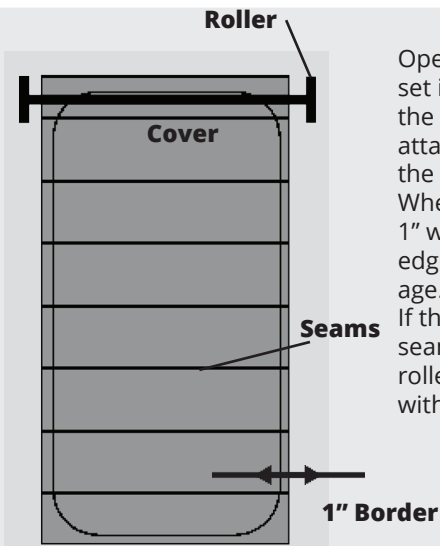
To set the Concrete Anchor: Hit the slug in the center of the Anchor (usually Red) with a hammer and center punch, driving the slug down into the Anchor forcing the legs out into concrete.



7 Insert the Anchor Bolt through the Spring, through the Black Spring Guard and through the hole of the Frame. For fully mobility of the castor, the anchor bolt must be removed.

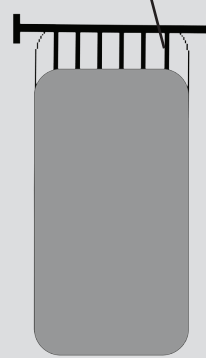


FOR REGULAR SHAPED INGROUND POOLS



Open the cover over the pool and set it into position. Ensure that the end of the cover (where it attaches to the roller) is square to the roller.
When cutting the cover, allow a 1" wide border around the pool edge to compensate for shrinkage.
If the cover has seams, then the seams should be parallel to the roller. (This may not be possible with some types of covers.)

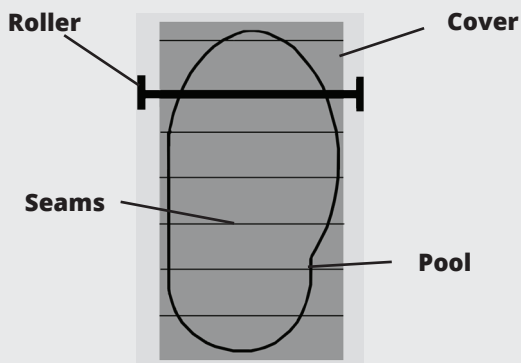
Straps every 3'



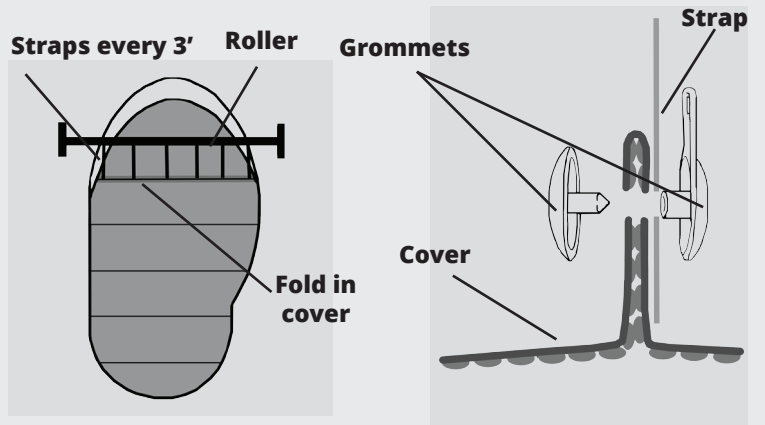
Attach the cut cover to the roller with the blue straps (See grommet detail). Ensure the length of the strap allows the cover to lay flat on pool, to prevent wind from getting under the cover.
To measure your straps go from the top of the assembled reel system down to the water in your pool and then add two inches extra to compensate for evaporation.

FOR IRREGULAR, KIDNEY, OR ROUND SHAPED INGROUND POOLS

Open the cover over the pool and set it into position. Ensure that the seams on the cover are parallel to the roller. (This may not be possible with some types of covers).

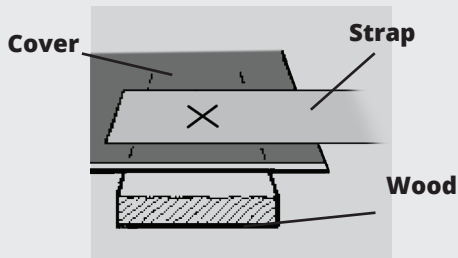


When cutting the cover, allow a 1" wide border around the pool edge to compensate for shrinkage.



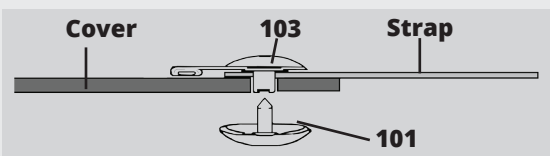
For odd shaped pools, pinch the cover and attach the strap as shown. Attach the cut cover to the roller with the blue straps (see grommet detail) by folding the cover in a straight line as shown in the diagrams. Ensure that the fold in the cover is straight.

GROMMET DETAIL



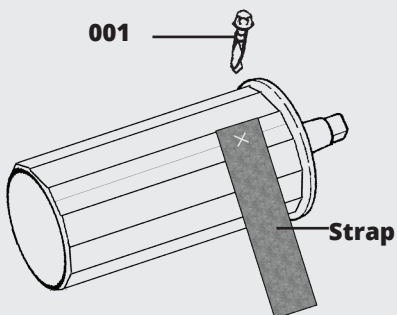
Position the blue strap on the cover. Cross cut through the strapping and the cover. Ensure that the hole in the strapping is at least 1" from the end of the strap and that the hole in the cover is at least 2" from the end of the cover. If possible fold the edge of the cover over so that you put the grommet through two layers of cover.

This will ensure that the Grommet fits securely onto both the cover and the strap, and will help to prevent tearing.



Insert the Female Grommet through your cut in the strapping and the cover. Ensure that the material is completely pushed down on the shaft. Insert the Male Grommet into Female Grommet. Once in place, hit with a hammer until secure. (**Caution - excessive force will break grommet.**)

001



Using Tek Screws, secure the strap to the Tube. Make sure you put the screw about an inch into the strap to prevent tearing.

ITEM #	QTY.	DESCRIPTION	RE-ORDER #
1	12	TEK Screw	501
5	2	5/16"x1" Bolt	505
13	2	3/8"x8" Anchor Bolt	513
15	2	Concrete Anchor	515
19	2	5/16" Washer	505
21	8	3/8" Washer	585
25	2	Spring	517
29	4	Acorn Nut	523
55	2	#3 A-Frame	530
61	1	Knob	533
69	2	4" Hub	543
73	1	Large Handle	547
101	10	Male Grommet	549
103	10	Female Grommet	549
105	2	Plastic Bushing	555
107	2	Plastic Washer	555
109	2	Spring Guard	109
203	1	36' Strapping	589
211	4	4" Wheels	585

Tools Required:

Drill
1/2" Concrete (masonry) Drill Bit
Hammer & Center Punch
5/16" Hex Head Socket Bit
1/2" Wrench
5/8" Wrench

Rocky's Reel Systems Inc.

Tel: 1-800-663-8705 E-Mail: info@rockys.ca

For further instructions and how to videos visit rockys.ca